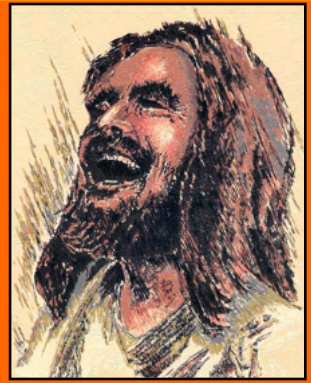


Steve's Puzzles and Stuff—75

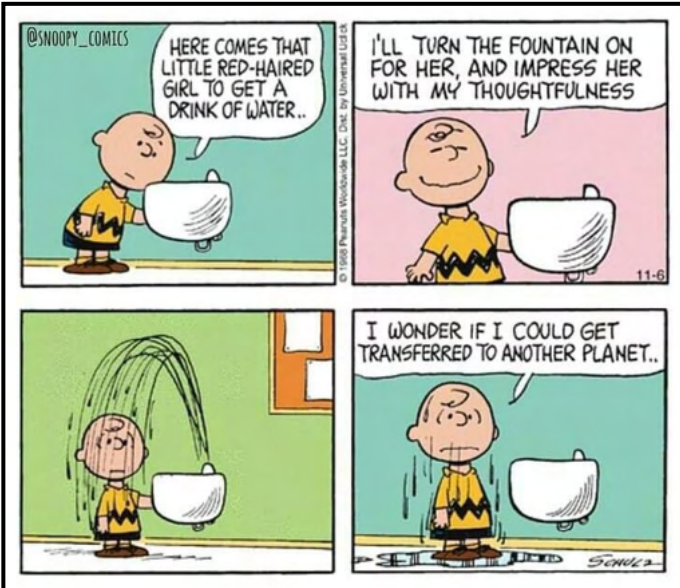
“A time to laugh!”

“Heaven-throned God breaks out laughing...”

(Psalm 2:4)



“So I recommend having fun, because there is nothing better for people in this world than to eat, drink, and enjoy life.” (Ecclesiastes 8:15)



“PASSENGERS HIT BY CANCELLED TRAINS”

(‘Eek! Ghost trains!’)

(Manchester Evening News headline)

“PIPELINE RAPTURED”

“The Algerian state-owned pipeline from the Sahara... has been raptured...” (Ghanaian Times)



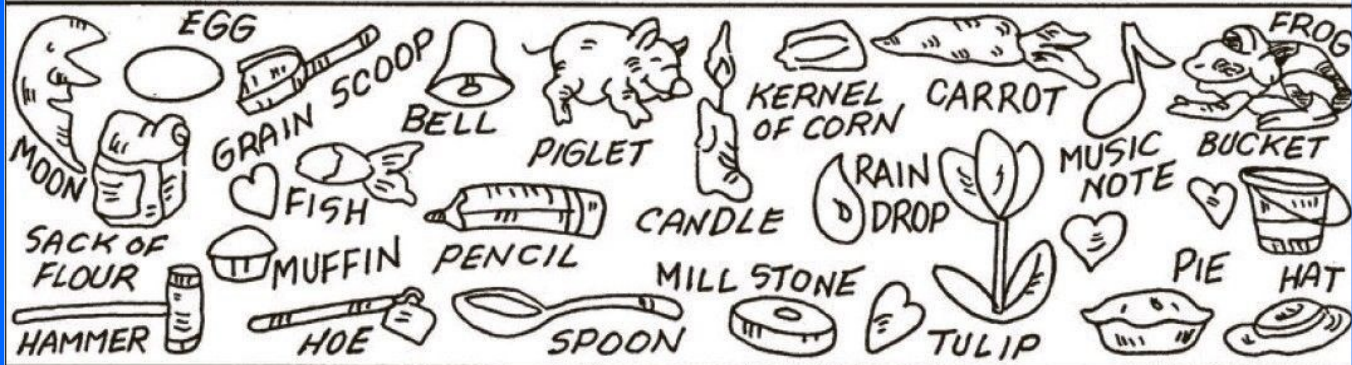
Celery has negative calories. It takes more calories to eat a piece of celery than the celery has in it to begin with.



Massive Hidden Object Puzzle



www.hiddenpicturepuzzles.com





A **SPEAKER STARTED** his sermon by holding up a £20 note. "Who would like this?" he asked. Hands went up throughout the congregation.

"I am going to give this £20 to one of you, but first let me do this."

He crumpled the note.

"Who still wants it?"

The same hands went up in the air.

"Well," he replied, "what if I do this?" He dropped the note and started to grind it into the carpet with his shoe. He picked it up, all wrinkled and dirty.

"Now who still wants it?"

Again, hands went into the air.

"You have all learned a valuable lesson," the speaker said. "No matter what I did to the money, you still wanted it because it did not decrease in value. It was still worth £20.

Many times in our lives, we are dropped, crumpled, and ground into the dirt by the decisions we make and the circumstances that come our way. We feel as though we are worthless. But no matter what has happened or what will happen, you will never lose your value in God's eyes. Dirty or clean, crumpled or creased, you are priceless to him."



My **DAUGHTER, SUFFERING** from anorexia and bulimia, was undergoing treatment at Baptist Medical Center. On one particularly difficult day she was told to drink a glass of milk, but just couldn't do it.

Her doctor was called in. He sat down beside her on the bed and said, "You are a Christian, correct?"

She answered, "Yes".

He said, "Do you remember the man Jesus healed near the pool of Siloam? Jesus put mud on his eyes to bring about his healing. But what really healed him?"

She thought for a moment and then answered, "His faith."

"Good!" he said. "Now drink your mud."

Steve T., Florence, Kansas

Picture Pattern Search



Can you find these arrangements in the grid above?



Clues may run forwards, backwards, up or down. Many will overlap or even be diagonal.

© www.free-for-kids.com 2020

G.K. Chesterton, creator of the Father Brown stories, on Bertrand Russell:

"He treated the Ten Commandments like one of those exam papers, which have at the top: "Not more than six of these should be attempted."



SUDOKU

The rules of Sudoku are simple. Place a digit from 1 to 9 in each empty cell so every row, every column, and every 3 x 3 box contains the digits 1 to 9.

6								3
		5	9		8			4
	1			6		9		
	8				5			3
9				3		2		7
		1	4					
				2		8		
5		4						
				3				1

MINI-CROSSWORD

1		2		3		4
5						
6						
7						

Across

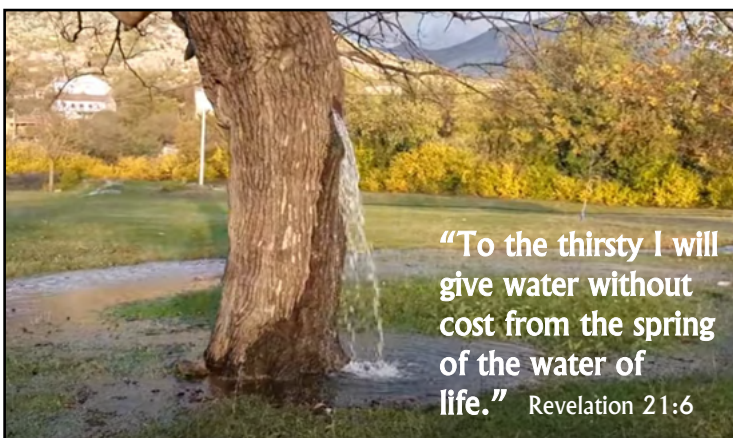
- 1. Schematic drawing
- 5. Thick cushioned seat, no back
- 6. Captivate
- 7. Voter

Down

- 1. Jurisdiction of a bishop
- 2. Presenter's visual aid
- 3. Oddment
- 4. Nessie

A Silly Quiz

1. What goes down but never goes up?
2. When you drop a white hat in the Black sea, what will it become?
3. What is coming but will never arrive?
4. What can travel the world while staying in a corner?
5. Every time you wash this becomes smaller. What is it?
6. What item of cutlery is often found in the road but can never be picked up?
7. What do people often ask for, want, and need, but don't always take?
8. What is wrong in this sentence?
9. There are two people on a boat. When the boat sinks, why does only one of them get his hair wet?
10. Imagine that your boat is sinking in a lake and many sharks are surrounding. How can you survive?
11. Why might you always be exhausted on the 1st of April?
12. A squirrel, a chipmunk, and a monkey are in a race to the top of the banana plant. Who gets the coconut first?
13. How many sides does a circle have?
14. How can you lift up a whale with two hands?
15. What is the result when you divide 20 by half and subtract 10?
16. Who is the biggest person in the family: Mrs Bigger, Mr Bigger, or their new-born baby?
17. If we dig a hole through the core of the Earth starting from Spain, which country would we end up in?
18. How many times does the average person laugh in a day?
19. How long is New Zealand's Ninety Mile Beach?
20. What is the Italian word for pie?
21. What is the correct term for a question mark immediately followed by an exclamation mark?!
22. In which month does the German festival of Oktoberfest mostly take place?
23. Which movie star entered a look-a-like content about himself and only came 3rd in it?
24. In which country are Panama hats made?
25. The first hockey pucks used in early outdoor hockey games were made of what?



“To the thirsty I will give water without cost from the spring of the water of life.” Revelation 21:6

In 2018, *Radio Free Europe/Radio Liberty* shared a video (<https://www.amusingplanet.com/2018/02/why-is-water-pouring-out-of-this-tree.html>) about a unique natural phenomenon in a village called Dinoša, in south-eastern Montenegro. There is a mulberry tree standing in the meadow that turns into a fountain whenever it rains heavily. Water gushes continuously from a hollow on the tree trunk.

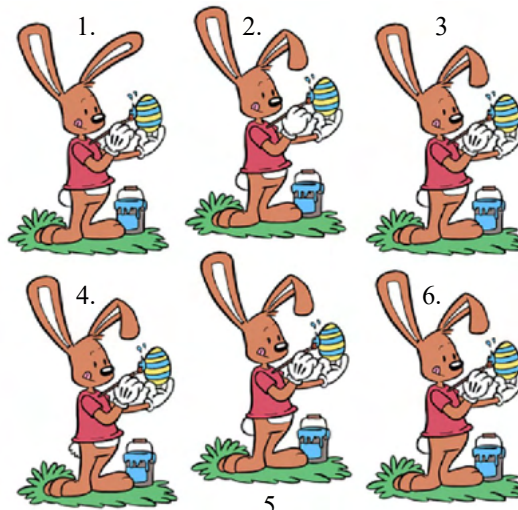


Photo: Tony Bowden/Flickr

Montenegro's tree fountain isn't the only example of water gushing out of the ground after rains. In the Estonian village of Tuhala, there is a well that starts spouting water after a heavy downpour. The well is located just over an underground river. After rain water floods the river, water pressure builds to the point that it shoots up out of the well, sometimes up to half a meter high. This continues for a few days. During this time, more than 100 litres of water can flow out every second.

Matching Pair

Which two rabbits are the same?



Puzzle time

Solutions on page 7

Wedding Anniversaries

Wedding anniversaries are traditionally associated with different materials.



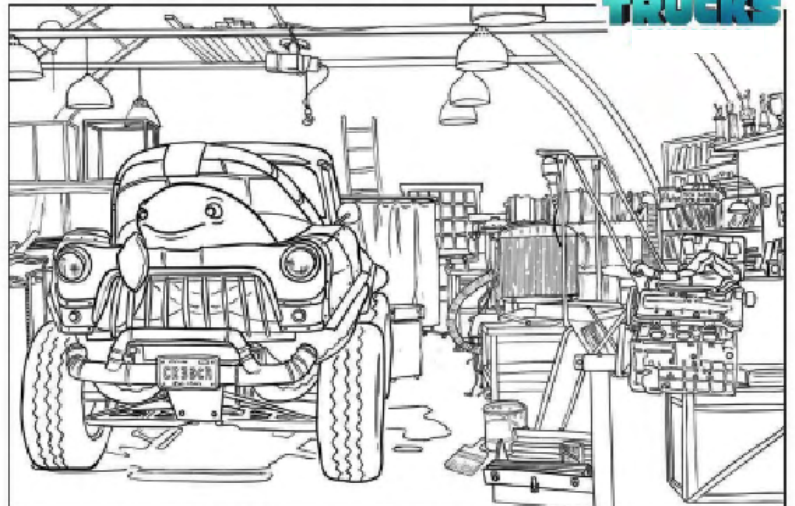
Can you fit them correctly into the table below?

Here's an alphabetical list: **Blue Sapphire, Bronze, Cotton, China, Coral, Crystal, Diamond, Emerald, Fruit & Flowers, Golden, Leather, Paper, Pearl, Pottery, Ruby, Sapphire, Silk & Fine Linen, Silver, Sugar, Tin, Wooden, Woollen.**

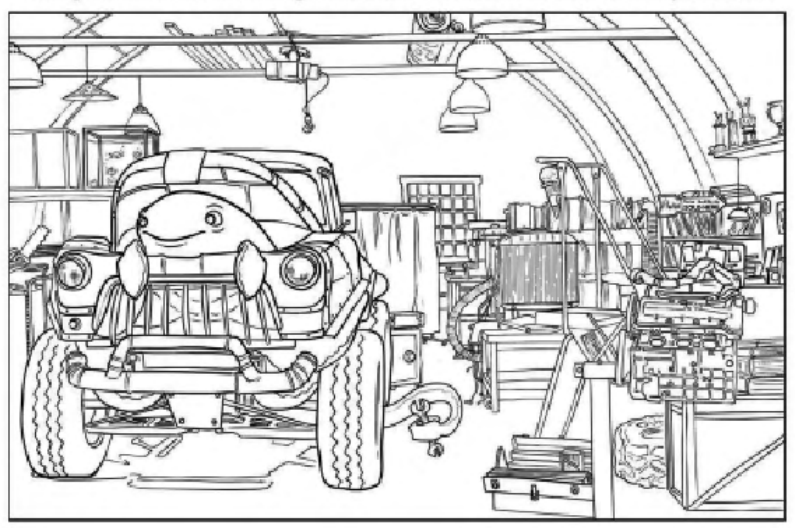
1st	
2nd	
3rd	
4th	
5th	
6th	
7th	
8th	
9th	
10th	
12th	
15th	
20th	
25th	
30th	
35th	
40th	
45th	
50th	
55th	
60th	
70th	
75th	

SPOT THE DIFFERENCE

MONSTER TRUCKS



Can you find the 20 things that are different in these two pictures?



English is just plain Weird!

It's clearly designed to confuse visiting foreigners!

There is no ham in hamburger; no apple or pine in pineapple. English muffins weren't invented in England or French fries in France. Boxing 'rings' are square and a guinea pig is neither from Guinea nor is it a pig!

Why do writers write, fingers don't fing, grocers don't groce and hammers don't ham?

Why is Colonel pronounced 'kernel', Cholmondeley pronounced 'Chumley', Beauchamp as 'Beecham', Featherstonehaugh as 'Fanshaw', Mainwaring as 'Mannering', Godmanchester, near Cambridge, "Gumster," Barnoldswick "Barlick." and Ralph 'Rafe'?

If the plural of tooth is teeth, why isn't the plural of booth, beeth?

One goose, 2 geese. So why not one moose, 2 meese? One index, 2 indices?

Doesn't it seem crazy that you can make amends but not one amend?

If teachers taught, why don't preachers praught?

If a vegetarian eats vegetables, what does a humanitarian eat?

In what other language do people recite in a play and play at a recital? Ship by truck and send cargo by ship? Have noses that run and feet that smell?

How can a slim chance and a fat chance be the same, while a wise man and a wise guy are opposites? And what about cleaving people getting close and a clever splitting up?

You have to marvel at the language in which your house can burn up as it burns down, and an alarm goes *off* by going on. When the stars are *out*, they are visible, but when the lights are *out*, they are invisible. It's all wonderfully strange!

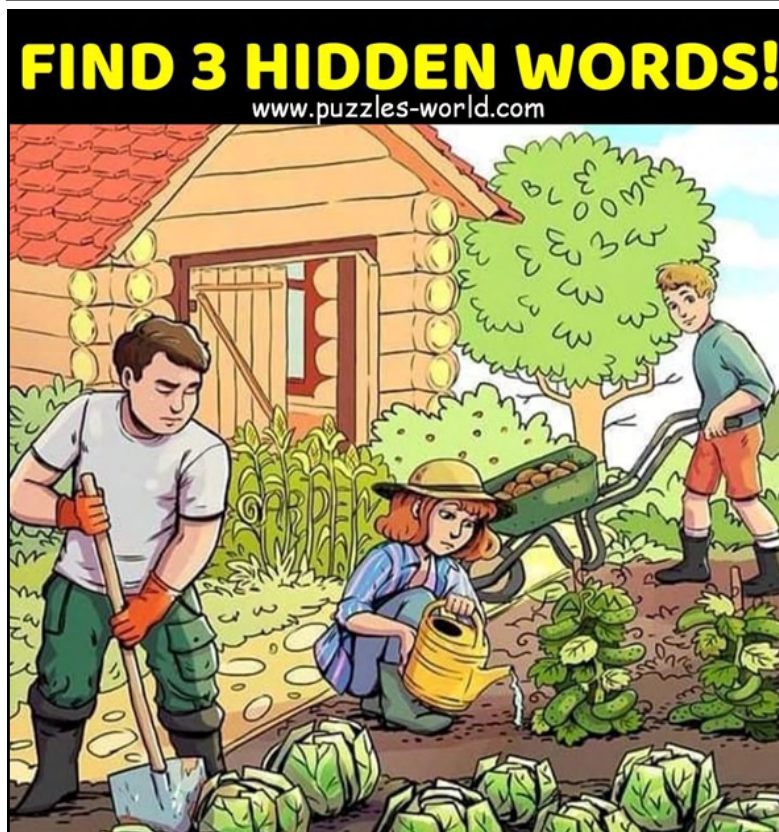


Tim's Printables

www.timvandevall.com

Copyright © Tim van de Val

Guide the time machine through the fabric of spacetime into the age of the dinosaurs!



FIND 3 HIDDEN WORDS!

www.puzzles-world.com



Meet Bishop John at
St. Columba's
1st -3rd July

Bishop John found faith through a mission team sent out from St. Columba's many years ago and will be visiting St. Columba's during June for a weekend to celebrate his link with us.
+John was installed as Bishop of Brixworth on 29th June 2011.

He was born in 1962 and grew up in Bristol, went on to study Theology at St Peter's College Oxford, and trained for ministry at Ridley Hall, Cambridge.

He served curacies in the Diocese of Southwark and Oxford then went on to become Vicar of Adderbury and Milton, and Rural Dean of the Banbury area (1993–2002) then Rector of Wimborne Minster in the Diocese of Salisbury (2002–2011), and Priest in Charge of a group of small rural churches.

He has a continuing interest in the partnership of British and overseas churches. As a student he spent nine months working alongside the Anglican Chaplain in Amman, Jordan, and has visited most countries in the region. Since then he has been involved in church-related projects in Sudan and Pakistan.

+John has a particular concern for education. He serves on the Board of the David Ross Educational Trust and the Nominations Committee of the University of Northampton and has been a governor of both primary and secondary schools

He is committed to Christian unity and to building healthy inter-church relationships. He represented the Diocese of Salisbury on the national Diocesan Missioners' Network.

Bishop John served as the acting (Diocesan) Bishop of Leicester from July 2015 to April 2016 .

Since 2013 he has been the Bishop attached to the national "Life Events" team, encouraging better practice in ministry and in 2018 he was appointed chair of the national charity *ReSource* which supports "little, local and ordinary churches" in their mission and ministry.

His hobbies include sailing, swimming, football (he is a lifelong Bristol City fan) and current affairs in the Middle East. He is an avid reader of fiction, biography and history, as well as theology.

+ John is married to Elizabeth and they have two grown-up children.

HM The Queen's Platinum Jubilee Celebrations

Sunday 5th June



11 am Celebration Service, hopefully outside the church,
12 noon BIG Community Lunch which we are providing for 200 people (this is a great opportunity to invite people to join us for worship and FREE food!), then in the afternoon we are planning a programme of entertainment, again mostly outside the church (weather permitting).

Look out for more details soon.

New date for the APCM

Sunday 22 May

with the 10.30am morning service.

This is the church Annual Meeting at
which we :

- hear reports on what has been going on during the past year.
- Make a some decisions.
- Discover where the money's gone, and elect (or re-elect) our Church Wardens and members of the PCC whose term is up.

To vote your name must be on the Electoral Roll. A copy is posted at the back of the church. If your name is missing, please ask Ian for a form. As the date has been moved it now possible to add new names up to the date of the revised meeting.

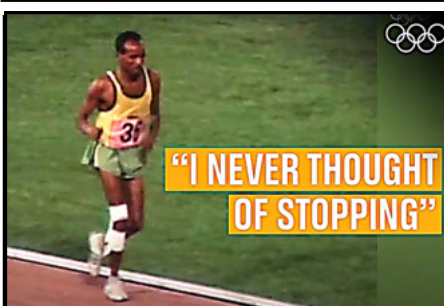
For 13 yrs. I produced a monthly supplement for the national SCOUTING magazine, and Scouts would often send in funnies. Here's one of my favourites that I rediscovered while going through old files...



Cattle Crossing



Cattle have crossed



In 1968, Tanzania selected John Stephen Akhwari to represent it at the Mexico City Olympics.

Along the course for the Marathon, Akhwari stumbled and fell, severely injuring both his knee and ankle. By 7 pm a runner from Ethiopia had won the race, and all the other competitors had finished and been cared for. Just a few thousand spectators were left in the

stadium, when a police siren at the gate caught their attention.

Limping through the gate came number 36, Akhwari, leg wrapped in a bloody bandage. Those present began to cheer as the courageous man completed the final lap of the race.

Later, a reporter asked the question on everyone's mind: "Why did you continue the race after you were so badly injured?"

He replied: "My country didn't send me 7,000 miles to begin a race; they sent me to finish the race."

So, "Let us run with perseverance the race marked out for us." (Hebrews 12:1)

I was dismayed this afternoon when my wife told me my 6-year-old son wasn't actually mine. She then said I needed to pay more attention at the school pick up point!

Puzzle Answers

Silly Quiz

1. Rain.
2. Wet
3. Tomorrow
4. A stamp
5. Soap
6. A fork
7. Advice
8. Wrong
9. The other is bald.
10. Stop imagining!
11. Because you've just completed a March of 31 days
12. None of them. There are no coconuts on banana plants.
13. Two—an inside and an outside.
14. You can't—there aren't any whales with two hands!
15. Half is 0.5. So, $20/0.5 = 40$. $40 - 10 = 30$.
16. The newborn baby because she is a little Bigger.
17. New Zealand
18. 13.
19. 55 miles (85 km).
20. Pizza.
21. An interrobang?!
22. September!
23. Charlie Chaplin.
24. Ecuador.
25. Frozen cow dung.

Wedding Anniversaries

- | | |
|------------------------|---------------|
| 1st Cotton | 15th Crystal |
| 2nd Paper | 20th China |
| 3rd Leather | 25th Silver |
| 4th Fruit & Flowers | 30th Pearl |
| 5th Wooden | 35th Coral |
| 6th Sugar | 40th Ruby |
| 7th Woollen | 45th Sapphire |
| 8th Bronze | 50th Golden |
| 9th Pottery | 55th Emerald |
| 10th Tin | 60th Diamond |
| 12th Silk & Fine Linen | 70th Platinum |

Alternative, more modern, gifts are on the internet.

FIND 3 HIDDEN WORDS!

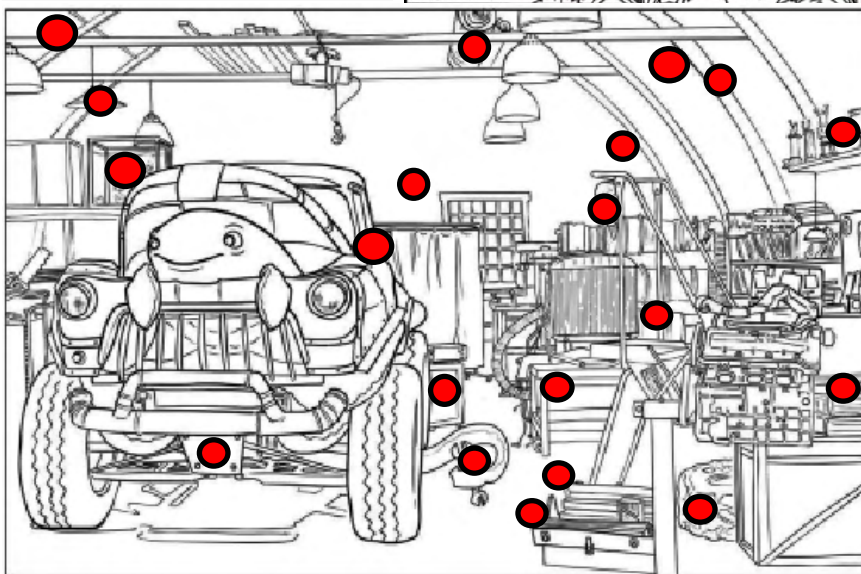
www.puzzles-world.com



SUDOKU mp7

1	3	4	7	9	6	2	5	8
8	6	2	5	3	4	9	1	7
7	9	5	1	2	8	3	6	4
4	5	3	8	6	1	7	9	2
2	1	7	9	4	5	8	3	6
9	8	6	3	7	2	1	4	5
5	7	1	6	8	9	4	2	3
3	2	9	4	5	7	6	8	1
6	4	8	2	1	3	5	7	9

Spot 20 Differences



Hidden Objects



Mini Crossword 10

D	I	A	G	R	A	M
I	U	E	O			
O	T	T	O	M	A	N
C	O	N	S			
E	N	C	H	A	N	T
S	U	N	E			
E	L	E	C	T	O	R

Matching Pair

Rabbits 3 and 5 are identical.

Weekly Services at St. Columba's

Sundays at 10.30am at St. Columba's
Rockingham Services 9am monthly.

Please wear a mask.

Occasional services at other times.

Details in the Vicar's weekly email and website.
 Services are available online on YouTube via

<https://stcolumbascorby.org.uk/>



Clergy

Vicar & Rural Dean:

Revd. Canon Ian Pullinger

157 Studfall Avenue, Corby, NN17 1LG.

Tel: 01536 400225

Mobile: 07903 644609

Email: ianpullinger@btinternet.com



Curate: The Revd. Kevin Montgomery

5 Hood Court, Corby, NN17 2RH

Tel: 01536 647727

Mobile: 07512 822422

Email: kfm@thedigitalchristian.com



[Here's a new bit of fun for the kids—print out this page for them to colour in.](#)
(OK—you grown ups can have a go, too!)

Color by Number!

Color the picture using the color by number guide.

